

GHH-P135 Recessed Pull

Features

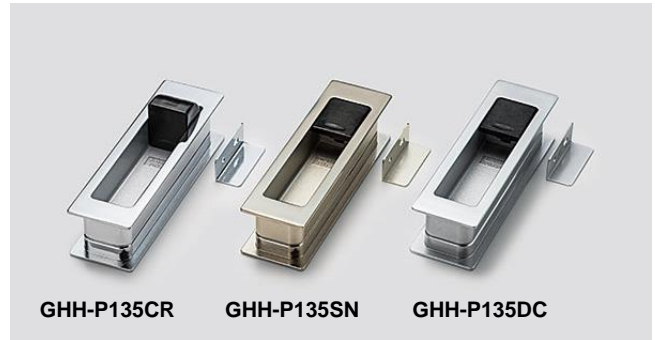
- Door stopper can be flipped-out to prevent door from entering pocket and pinching fingers
- Door stopper can be flipped-in to completely open the door
- Applicable for 40 - 50 mm door with use of longer screws

Notes

- When using with counter plate, set the gap ※ to 7 mm

Parts Included

- Countersunk head screw M4 × 25

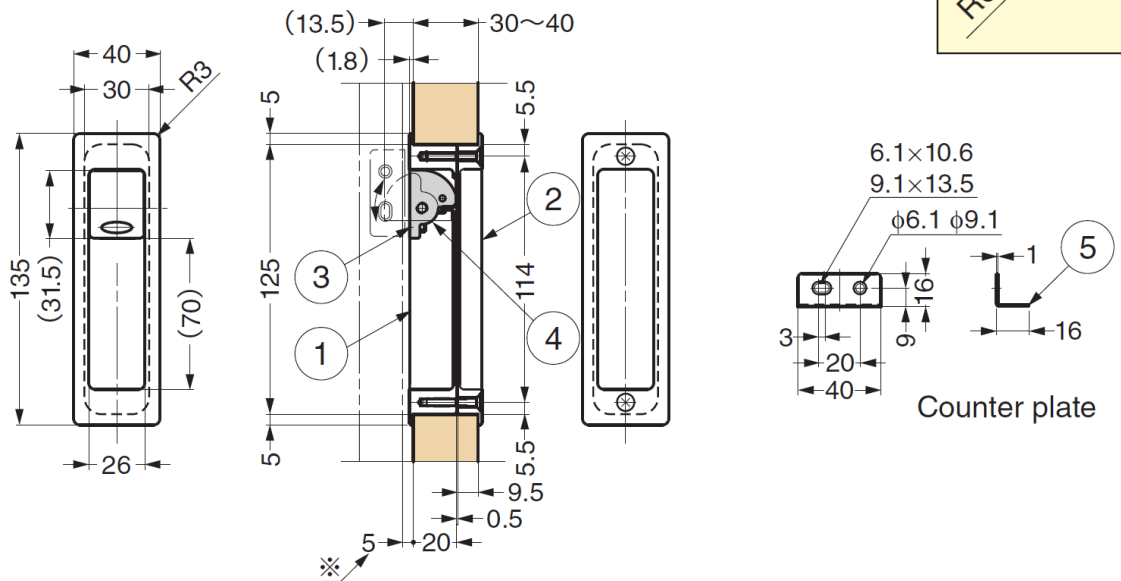
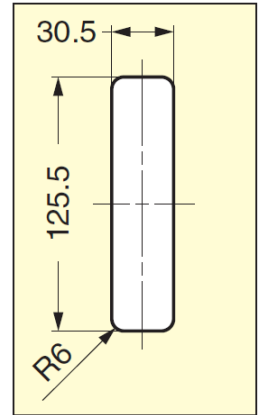
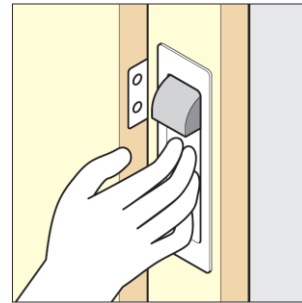


GHH-P135CR

GHH-P135SN

GHH-P135DC

Cut Out Dimensions



No.	Part Name	Material	Finish/Colour
①	Pull A	Zinc Alloy (ZDC)	Satin Nickel, Chrome, Dull Chrome
②	Pull B		
③	Protector	Polyurethane (PUR)	Black
④	Shaft	Stainless Steel (SUS304)	Plain
⑤	Strike Plate	Steel (SPCC)	Satin Nickel, Chrome, Dull Chrome

Part No.	Finish	Door Thickness
GHH-P135SN	Satin Nickel	30 ~ 40
GHH-P135CR	Chrome	
GHH-P135DC	Dull Chrome	